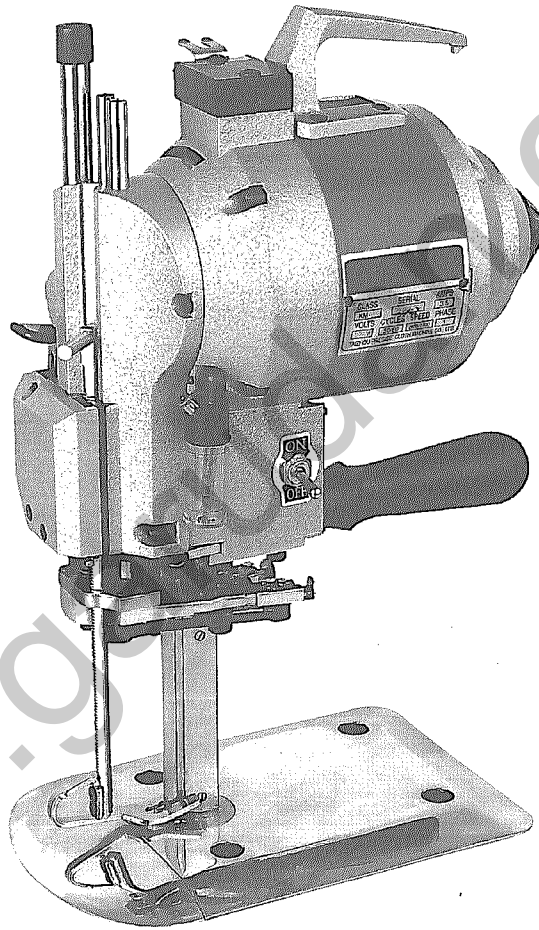
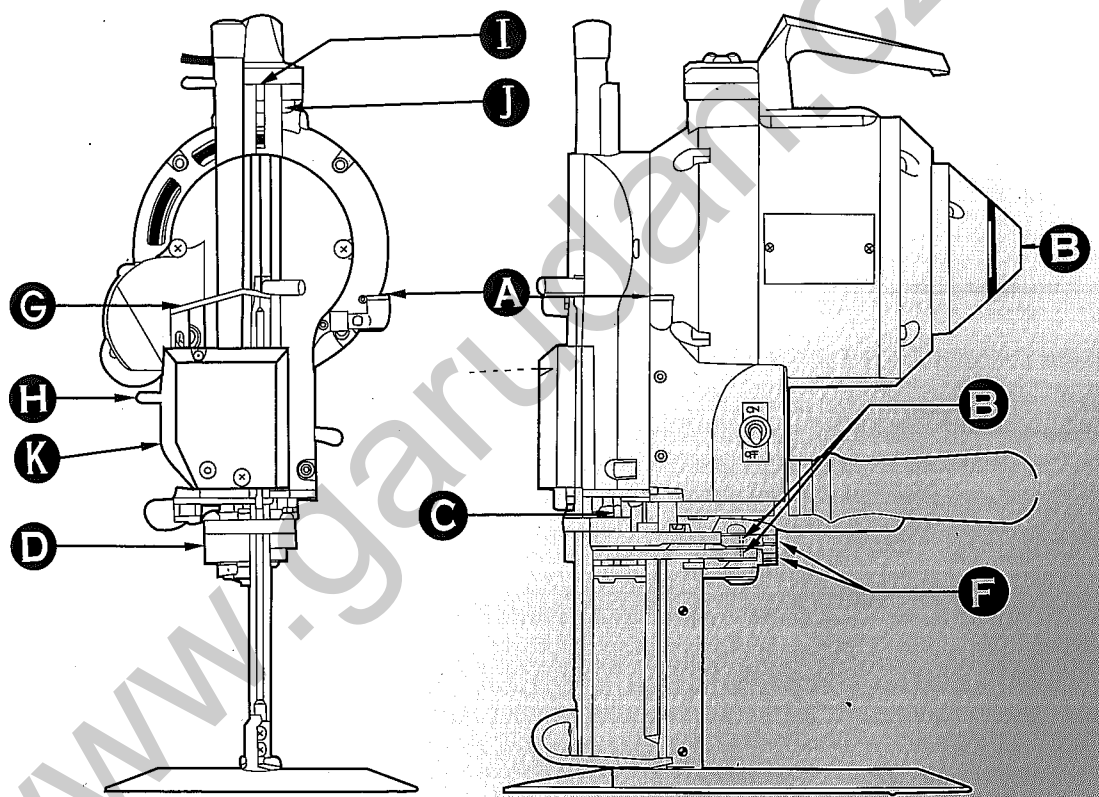


INSTRUCTION BOOK

**INSTRUCTION
BOOK AND
PARTS LIST**



OPERATION-LUBRICATION-CARE



START ON

1. Fill oil cup A, be sure oil goes into smooth, if not, remove obstruction.
2. Push in E and turn the machine by hand for a few revolutions to make sure the oil is spread over contact surfaces.
3. The sharpener must be always up in locked position when starting.

BE CAREFUL

- a. Keep the machine in warm place in cold weather.
- b. Repeat short on & off before permitting the machine to run continuously for preventing excessive friction between contact surfaces.
- c. Do not use too much oil. Do not use sewing machine oil. Use a least good grade of No. 30 motor oil.
- d. In case your cutter is of DUAL SPEED TYPE, please take care of the following two points:
 - (1) Be sure to select the switch to the upper high speed (HI) in starting, and then, when full revolution has been attained, to the lower speed (LO)
The switch is put off by selecting the intermediate OFF
 - (2) The continuous operation at low speed (LO) should be no more than 30 minutes. DO NOT OPERATE FOR MORE THAN 30 MINUTES.

LUBRICATION

EVERY 2 HOURS	WEEK	ONCE A MONTH
1. Fill oil tank A (no need to oil at connecting rod bearing)	One drop oil to: 1. Tubes-1 & J 2. Turn knob-E 3. Pulley Shaft-C 4. Belt Pulleys-B	Remove Dplug and insert grease tube. Give a pea-size amount to the opening

SHAPENER OPERATION

1. Put the machine away from piles of material.
2. Drop pressure foot by lever located next to operating handle
3. Press lever G downward firm but not too quick.

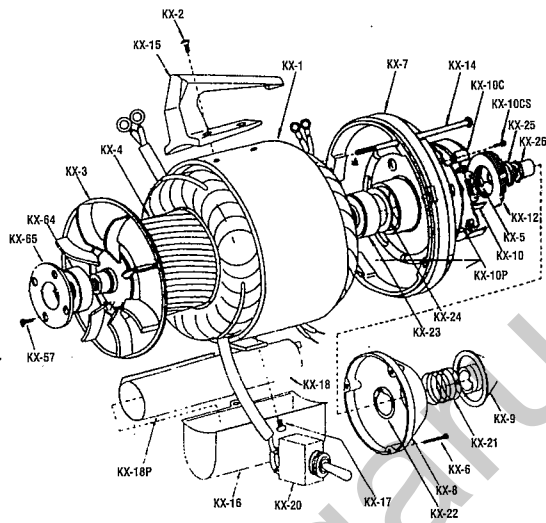
BE CAREFUL

- a. Do not operate sharpener without knife in machine.
- b. Do not operate sharpener with cutting material laid in machine.
- c. Do not shut off motor while sharpener is in motion.
- d. If lever G is locked in halfway by too quick operation, lift lever H to unlock and start again.

CARE

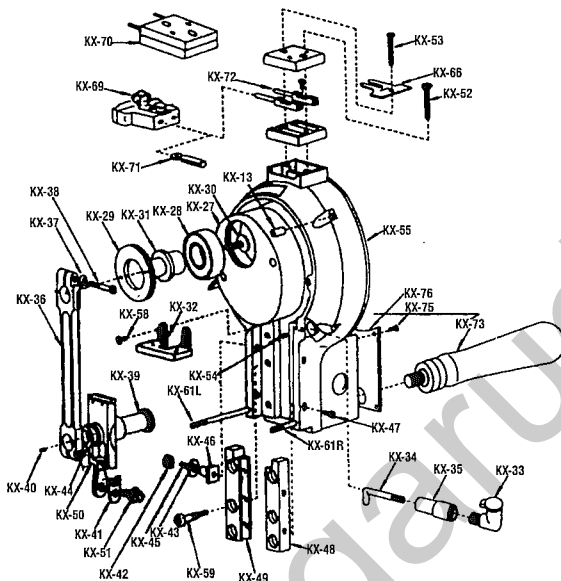
1. Blow lint out of motor and sharpener by blower or something alike twice a week.
2. Lint around screw mechanism of sharpener inside cover K must be cleaned once a week.
3. Clean the knife slide by slot cleaner once a day.
4. Remove lint from rollers in base plate. To prevent undue accumulation of lint, do not oil plate rollers. If rollers stick, remove from plate and wash in cleaning solvent.

MOTR & HOUSING MECHANISM



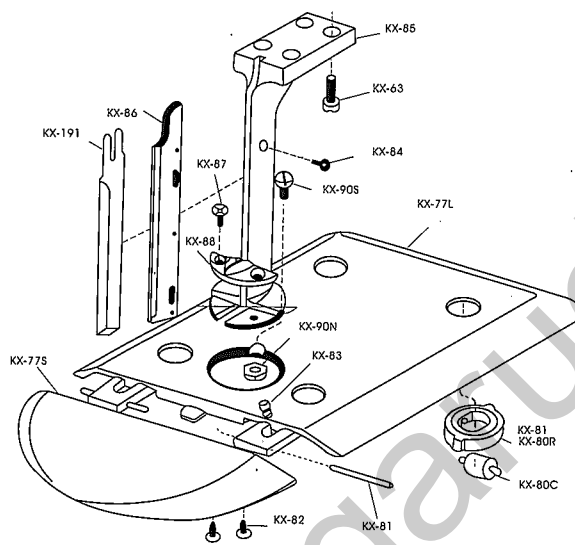
KX-1	Capacitor-Stator
KX-2	Carrying Handle Screws
KX-3	Rotor Fan
KX-4	Rotor with Shaft
KX-5	Cut-Out Switch to Bearing Screw
KX-6	Dust Cap Screw
KX-7	Rear Bearing Housing
KX-8	Dust cap
KX-9	Turning Knob
KX-10	Cut-Out Switch
KX-10P	Insulated Plate
KX-10C	Insulated Cover
KX-10CS	Set Screw for Insulated Cover
KX-12	Automatic Cut-Out
KX-14	Front to Rear Bearing Screw
KX-15	Carrying Handle
KX-16	Capacitor Cover
KX-17	Screw for Capacitor Cover
KX-18	Capacitor
KX-18P	Paper
KX-20	Switch
KX-21	Clutch Spring
KX-22	Retaining Ring
KX-23	Rear Ball Bearing
KX-24	Rear Ball Bearing Spring Washer
KX-25	Clutch Nut
KX-26	Shaft Lock Nut
KX-57	Front Ball Bearing Retainer Screw
KX-64	Front Ball Bearing
KX-65	Front Ball Bearing Retainer

FRONT COVER MECHANISM



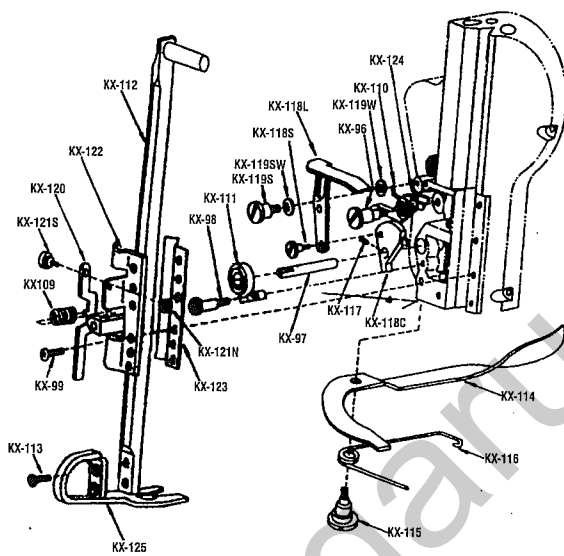
KX-13	Front to Rear Bearing Nut
KX-27	Crank
KX-28	Crank Ball Bearing
KX-29	Crank Ball Bearing Lock Nut
KX-30	Screw for Brg Shaft
KX-31	Shaft for Ball Bearing
KX-32	Oil Pad Holder
KX-33	Oil Cup
KX-34	Oil Tube for Wrist Pin (Copper)
KX-35	Oil Tube for Wrist Pin
KX-36	Connecting Rod
KX-37	Shakeproof Washer
KX-38	Connecting Rod Clamp Screw
KX-39	Wrist Pin
KX-40	Wrist Pin Plug
KX-41	Knife Lock Washer
KX-42	Nuts for Guide Screw
KX-43	Guide Washer
KX-44	Connecting Rod washer
KX-45	Guide Adjusting Screw
KX-46	Guide Adjusting Nut
KX-47	Guide Lock Screw
KX-48	R. H. Guide
KX-49	L. H. Guide
KX-50	Cross Hsad
KX-51	Knife Lock Bolt
KX-52	Terminal Block Screw
KX-53	Ground Clip Screw
KX-54	Set Screw
KX-55	Front Bearing Housing
KX-58	Oil Pad Holder Screw
KX-59	Guide Hold Down Screw
KX-61L	Stud Lower L. H. Montaing(L)
KX-61R	Stud Lower L. H. Montaing(R)
KX-66	Ground Clip
KX-69	Attachment Plug (Complete)
KX-70	Tetminal Block (Complete)
KX-71	Terminal Sleeve
KX-72	Terminal Contact With Pin.
KX-73	Operating Handle
KX-75	Switch Cover Screw
KC-76	Switch Cover

STANDARD & BASE PLATES



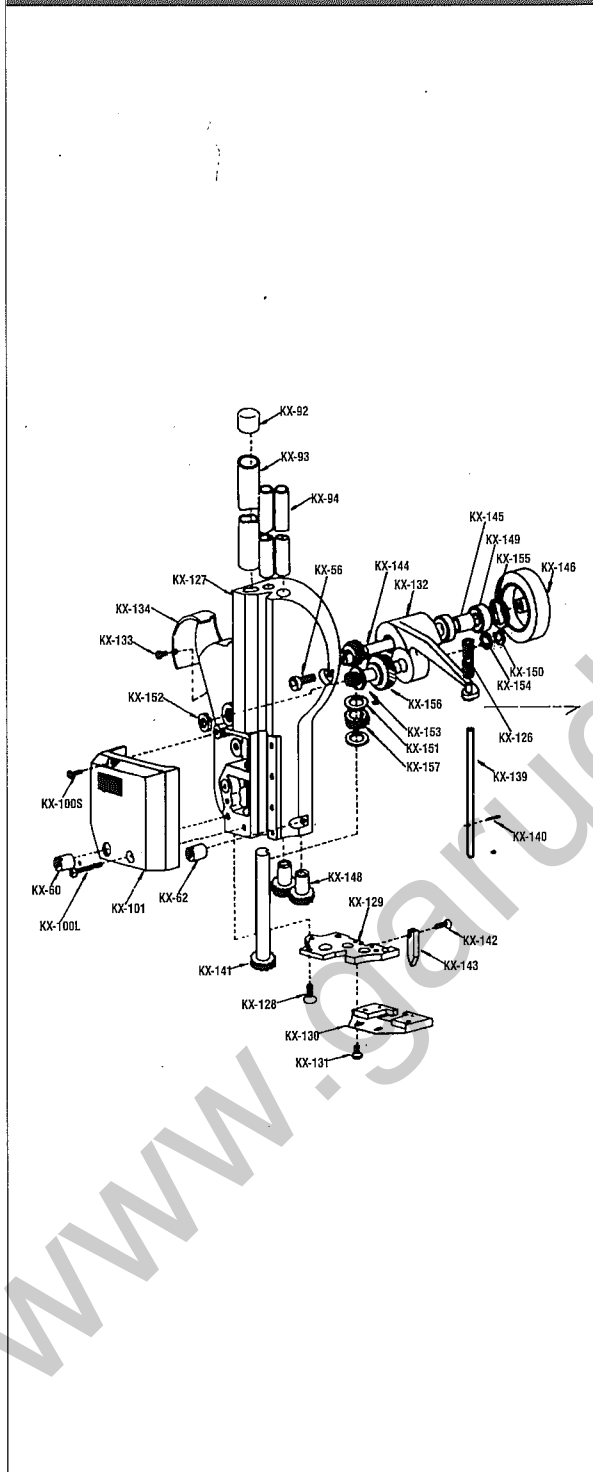
KX-63	Standard-to-Bearing Screw
KX-77S	Plate Wing
KX-77L	Plate
KX-80C	Roller
KX-80R	Rubber
KX-81	Hinge Pin Short
KX-82	Hinge Pin Clamp Screw
KX-83	Plate Wing Tension Spring
KX-84	Knife Slide Screw
KX-85	Standard
KX-86	Knife Slide
KX-87	Screw for Throat Plate
KX-88	Throat Plate
KX-90S	Plate Screw
KX-90N	Plate Nut
KX-191	Knife

SHARPENER HOUSING MECHANISM



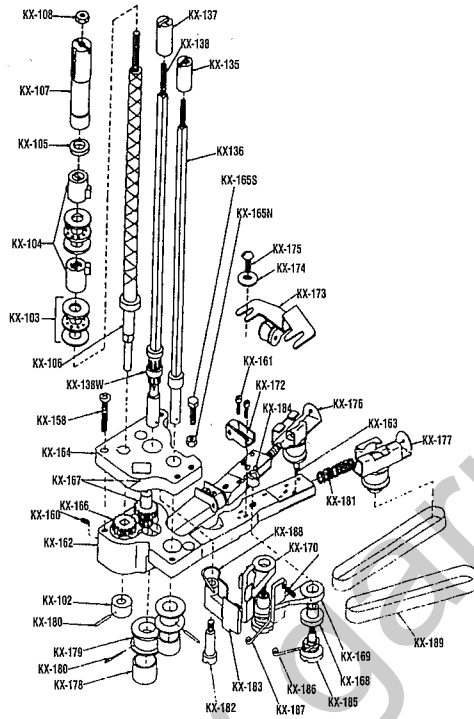
KX-96	Screw for Latch
KX-97	Shaft for Cam
KX-98	Cam Shaft Spring Screw
KX-99	Pres Foot Lock Bracket Screw
KX-109	Spring for Pressure Foot Lock
KX-110	Spring for Latch
KX-111	Cam Spring
KX-112	Pressure Foot Rod
KX-113	Screw for Pressure Foot Shoe
KX-114	Pressure Foot Lever
KX-115	Pressure Foot Lever Screw
KX-116	Spring for Pressure Foot Lever
KX-117	Set Screw for Cam
KX-118C	Cam
KX-118L	Release Lever
KX-118S	Screw for Cam
KX-119S	Lock Screw for Release Lever
KX-119SW	Spring Washer
KX-119W	Washer
KX-120	Lock(only)Pressure Foot
KX-121S	Screw for Pres Ft Lock
KX-121N	Nut for Pres Ft Lock
KX-122	Pressure Foot Lock Bracket
KX-123	Slide for Pressure Foot Rod
KX-124	Latch for Cam
KX-125	Pressure Foot Shoe

SHARPENER HOUSING MECHANISM



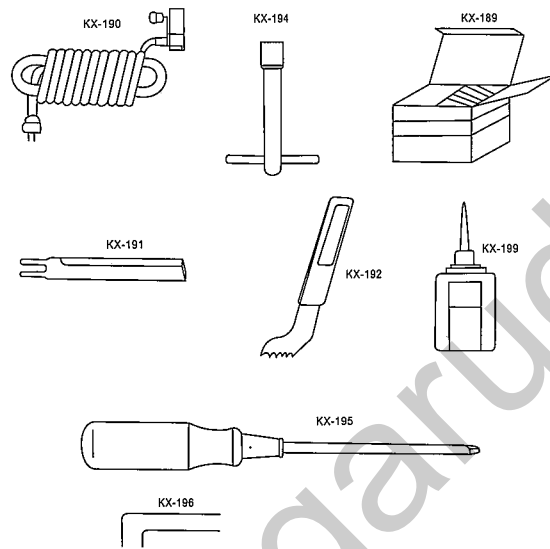
KX-56	Sharpener Hold Down Screw
KX-60	Lower L.H. Sharpener Hold down Nut
KX-62	Stud, Guide Rod Bracket
KX-92	Cap for Tube
KX-93	Driving Shaft
KX-94	Right and Left Hand Follower
KX-100S	Screw for Cover(S)
KX-100L	Screw for Cover(L)
KX-101	Cover Over Cam
KX-126	Spring for Bell Crank
KX-127	Sharpener Housing
KX-128	Bottom Plate Screw
KX-129	Bottom Plate
KX-130	Oil Pad & Holder
KX-131	Screw for Oil Pad
KX-132	Bell Crank With Pin & Bushing
KX-133	Screw for Cover
KX-134	Cover for Driver
KX-139	Push Rod
KX-140	Roll Pin for Push Rod
KX-141	Driver Shaft With Gear
KX-142	Screw for Spreader Pin
KX-143	Spreader Pin
KX-144	Gear & Shaft
KX-145	Bearing for Gear
KX-146	Rubber Driver & Driver Pulley
KX-148	Spur Gear
KX-149	Ball Bearing for Crank
KX-150	Retaining Ring
KX-151	Thrust Washer for Spiral Gear
KX-152	Lock Nut for Crank Shaft
KX-153	Shaft for Crank
KX-154	Washer for Crank Shaft
KX-155	Lock Nut for Ball Bearing
KX-156	Ldler Gear With Bushing
KX-157	L.H. Spiral Gear With Key

LOWER GEAR BRACKET MECHANISM



KX-102	Collar for Lower Screw Shaft
KX-103	Thrust Ball Bearing
KX-104	Nut for Screw Shaft L. H. & R. H
KX-105	Washer for Screw Shaft L. H.
KX-106	Screw Shaft With Extension
KX-107	Spacer Tube
KX-108	Stop Nut for Screw Shaft
KX-135	Right Hand Follower Nut
KX-136	R. H. Square Shaft
KX-137	Left Hand Follower Nut
KX-138	L. H. Square Shaft
KX-138W	L. H. Square Shaft Washer
KX-158	Screw for Gear Cover
KX-160	Gtease Plug
KX-161	Screw for Stabilizer
KX-162	Lower Gear Bracket
KX-163	Screw for Slide Pulley
KX-164	Lower Gear Bracket Gear Cover
KX-165N	Adjusting Nut
KX-165S	Adjusting Screw
KX-166	Gear on Screw Sheft
KX-167	Intermediate Gear
KX-168	Bushing for Shoe
KX-169	R.H. Shoe
KX-170	L. H. Shoe
KX-171	Set Screw for Sharpener Shoe
KX-172	Stabilizer
KX-173	Guide Back of Standard
KX-174	Washer for Guide Back
KX-175	Screw for Guide Back
KX-176	L. H. Slide With Pulley
KX-177	R. H. Slide With Pulley
KX-178	Neoprene Band
KX-179	Front Pulley for Belts
KX-180	Roll Pin for Pulley
KX-181	Spring for Pully Slide
KX-182	Screw for Clamping Arm
KX-183	Clamping Arm for shoe
KX-184	Nut for Sharpener Shoe Screw
KX-185	Screw for Sharpener Shoe
KX-186	R. H. Sharpener Shoe Spring
KX-187	L. H. Sharpener Shoe Spring
KX-188	Spring for Arm
KX-189	Abrasive Belts

ACCESSORY



KX-189	Abrasive Belts
KX-190	Electric Corde Complete
KX-191	Knife
KX-192	Slot Cleaner
KX-194	Knife Bolt Wrench
KX-195	Screw Driver
KX-196	Wrench for Shoe Set Screw
KX-199	Oiler